

## Forward Facing IP Camera

# CEN702 SPECIFICATION



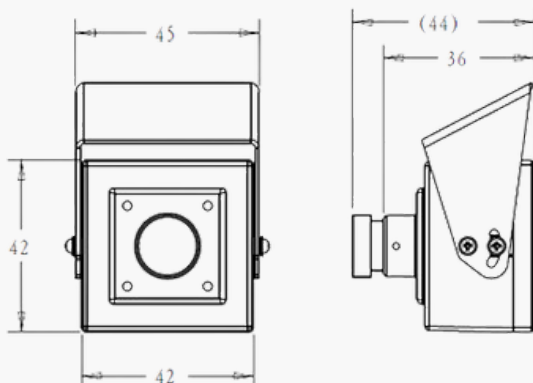
## Overview

The CEN702 is a 2.0MP mini forward-facing and driver-facing IP camera with secure metal housing and a 2.8mm megapixel fixed lens. This camera offers a wide dynamic range, high-sensitivity Starlight, low power consumption and audio.

## Product Features

- ✓ Metal-cased mini housing with megapixel fixed lens
- ✓ Low power consumption
- ✓ High-sensitivity, Starlight
- ✓ Wide dynamic range

## Dimensions



# Specifications

Model: CEN702

Specifications	
Resolution	1920*1080, 25/30FPS
Image Sensor	GC2053
TV System	PAL/NTSC (Optional)
Effective Pixel	1920 (H) x 1080 (V)
Sensitivity	0.01 Lux/F1.2
Dual Streaming	Main streaming: 1920*1080 / 1280*960 / 1280*720 / 704*576 Sub-streaming: 704*576/640*480
Video Format	H.264/H.265
Video Bit Rate	128Kbps~8Mbps
Audio Processing	G.711
Ethernet	TCP/IP,HTTP,FTP,DHCP,DNS,DDNS,RTP,RTSP, RTCP,PPPOE,NTP,SMTP
Power	DC-12V
Power Consumption	Max 3W
Infrared Spectrum	N/A
Infrared LED	N/A
Mirror	N/A
Audio Output	Available
ICR	N/A
Lens	f2.8mm Lens
Dimensions	45 (L) x 42(W) x 44 (H) mm
Net Weight	150g
Weatherproof/ Water Proof	N/A
Running Environment	Temperature-20 ~ + 50 ° C, humidity 20 to 80%
Storage Environment	Temperature-20 ~ + 65 ° C, humidity 20 to 90%