

24 Channel Mobile Digital Video Recorder

CEN104-PRO SPECIFICATION



Overview

The CEN104-PRO represents our premium offering, tailored for large vehicles or mobile units in need of comprehensive recording capabilities, supporting as many as 24 cameras.

This device is powered by a high-speed processor and runs on an embedded operating system, featuring the latest in H.265 video compression/decompression, 3G/4G connectivity, GPS/BD positioning, and Wi-Fi technologies.

With options for 720P and 1080P resolution, it facilitates driving records and remote video uploads. When used in conjunction with centralized software, it enables advanced remote video monitoring, including alarm linkage, intelligent vehicle dispatch and management, and playback analysis leveraging a central database. Designed with durability in mind, the product offers resistance to shocks, electromagnetic interference, and radiation. It boasts a sleek design, straightforward installation, adaptability, extensive HDD storage, SD card backup capabilities, and unparalleled reliability.

Product Features

- ✓ Utilizes advanced H.265 video compression/decompression technology to enhance storage efficiency
- ✓ 4G/3G, GPS/BD positioning and WIFI technologies (pluggable modules)
- ✓ Support recording of 1080P/720P resolution
- ✓ Supports 3.5-inch high-capacity HDD, equipped with HDD heating and HDD power-off protection technologies

✔ Supports fire-proof box application

✔ Boasts a strong anti-vibration capability, comprehensive functionalities, and high reliability

Specifications

Model: CEN104-PRO

Function Overview

Preview, recording, playback, network transmission and positioning

System

Operating System	Linux
Control Mode	CP4, mouse, EasyCheck APP and network (3G/4G/WIFI)

Video

Input	16-channel AHD+8-channel POE IPC
Output	1-channel CVBS and 1-channel VGA (support 1080P to be backwards compatible with 720P)

Total Resource	16CH*1080P@10fps AHD+8CH*1080P@30fps IPC 16CH*720P@25fps AHD+8CH*1080P@30fps IPC
----------------	---

Audio

Input	24 channels
Output	2 channels

Display

Display Split	1/4/9 image display
On-screen Display	Positioning information, alarm, license plate number, speed and time, etc.
Operating Interface	Graphical User Interface

Recording	
Audio Compression	ADPCM, G.711U
Video Compression	H.265/H.264
Image Resolution	PAL: 1080P, 720P, WD1 (928X576), WHD1 (928X288), WCIF (464X288), D1 (704X576), HD1 (704x288), CIF (352x288); NTSC: 1080P, 720P, WD1 (928X480), WHD1 (928X240), WCIF (464X240), D1 (704x480), HD1 (704x240), CIF (352x240); Digital: 1080P (1920X1080), 720P (1280X720)
Image Quality	Level 1 - Level 8 adjustable (Level 1 is the best)
Recording Mode	Start-up/timing/alarm event recording
Alarm Prerecording	0-60 min
Alarm Recording Delay	0-30 min
Playback	
Playback Channel	Local: Support 1/4/9 channels (main stream of single channel and sub-stream of multiple channels) WEB: Support synchronous playback of 1/4/9 channels
Browse Mode	Time, channel and event
Network	
LAN	1000M/100M/10M(RJ45without LED)
WIFI/BT	Support 802.11a/b/g/n/ac Built-in, support 4.0 and above with BLE feature
3G/4G	Only one of 3G/4G is supported
Positioning	
GPS	Support positioning, speed detection and time synchronisation
Sensor	
G-Sensor	Built-in 6-axis inertia sensor
Amplifier	
Support	2*20W

Storage

HDD	1*3.5" SATA HDD 1*M.2 SSD
SD	Support SDXC 32GB/64GB/128GB/256GB, hot plugging

Interface

SIM	1 x PUSH-PUSH SIM card slot
eSATA	1 x eSATA
SD	1 x SD card slot
Serial Port	2 x RS232, 2 x RS485
CAN	2 x CAN
I/O	8 x input and 2 x output
Pulse Speed Measurement	1 channel
Control Panel	CP4, CP5
Intercom	1 MIC interface (CP4)

Power Supply

Input	DC 8~36V
Output	5V @ 500 mA & 12V @ 500 mA

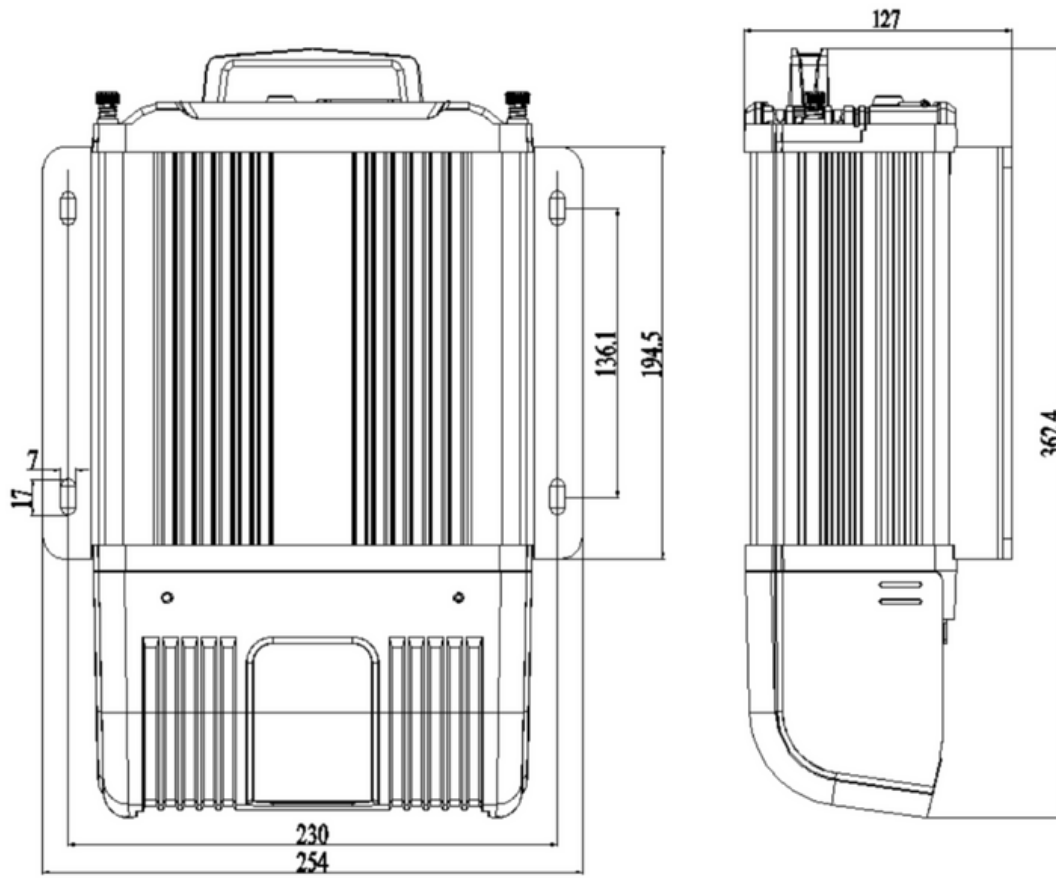
Physical Property

Dimensions (L x W x H)	362.4 x 254 x 127 mm
------------------------	----------------------

Environment

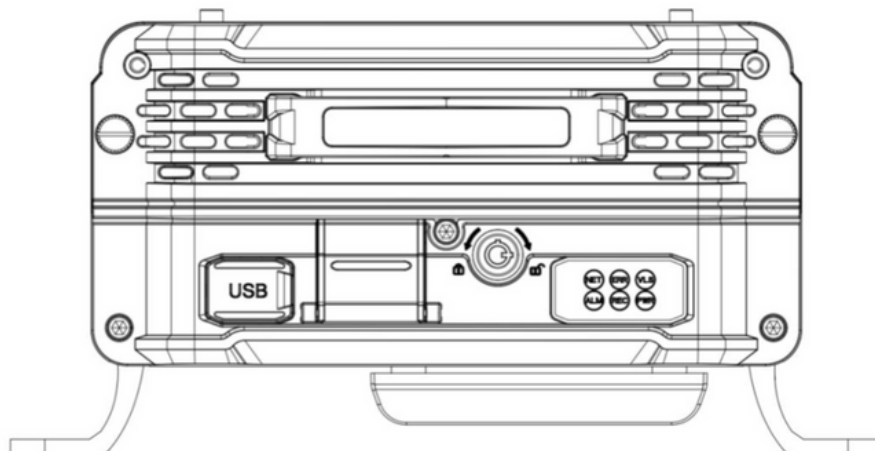
Operating Temperature	-40°C ~ +70°C (with heating and no HDD)
Operating Humidity	8% - 90% (no condensation)

Dimensions (mm)

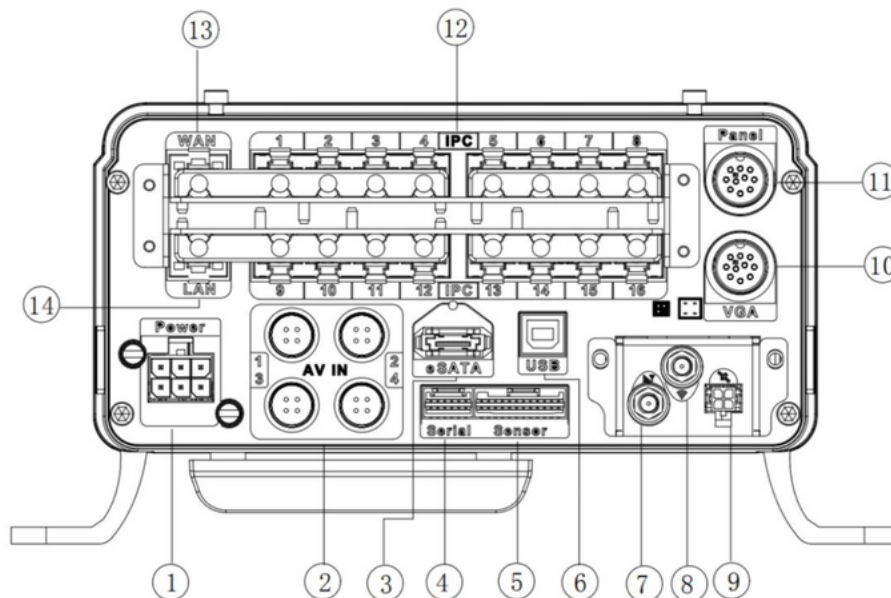



Interfaces

Front panel



Rear panel:



S/N	Silk Screen	Description
1	Power	DC8-36V power input
2	eSATA	eSATA interface
3	AV IN 1 ~ 8 AV IN 9 ~ 16	CHI ~ 16for analog cameras
4	Serial	Serial ports
5	Sensor	I/O and Pulse
6	USB	USB 2.0
7		3G/4G antenna

8		WIFI antenna
9		GPS/BD antenna
10	VGA	VGA output
11	Panel	Control Panel(CP4)
12	IPC 1 ~ 8	CHI ~ 8 for IP cameras
13	WAN	RJ45 (10/100/1000M)
14	LAN	RJ45 (10/100/1000M)
15		Debug interface
16	Amplifier	Amplifier interface